

DOUBLE WIRE PUSHER CLAMP

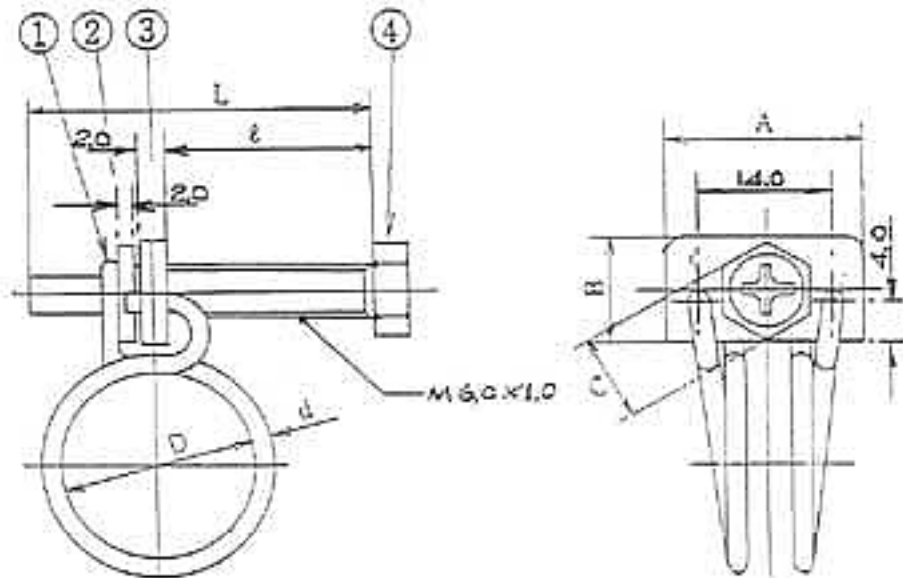
FINISH: DACROMET

Part No.	Description	Material
1	Wire form	BS1052
2	Washer	BS1449 Grade 4
3	Plate	BS1440 Grade 4
4	Bolt	BS3692 Grade 5.8

PLEASE NOTE:

We are only tooled to produce the following sizes:
 78 mm open
 13 mm open
 17.3 mm open
 43 mm open

A = 22 B = 12 C = 10



Part No	D			d	L	t
	Open	Tol.	Closed			
EPC 14	1.4	- 0 + 1	1 0	± 0.1	± 0.5	15
EPC 15	1.5		1 1			
EPC 16	1.6		1 2			
EPC 17	1.7		1 3			
EPC 18	1.8		1 4			
EPC 19	1.9		1 5			
EPC 20	2.0		1 6			
EPC 21	2.1		1 7			
EPC 22	2.2		1 8			
EPC 23	2.3		1 9			
EPC 25	2.5		2 1			
EPC 27	2.7		2 3			
EPC 28	2.8		2 4			
EPC 30	3.0		2 6			
EPC 32	3.2		2 8			
EPC 33	3.3		2 9	± 0.1	± 0.5	25
EPC 35	3.5		2 7			
EPC 37	3.7		2 9			
EPC 38	3.8		3 0			
EPC 40	4.0		3 2			
EPC 42	4.2		3 4			
EPC 44	4.4		3 6			
EPC 45	4.5		3 7			
EPC 48	4.8		4 0			
EPC 50	5.0		4 2			

Part No	D			d	L	t
	Open	Tol.	Closed			
EPC 52	5 2	- 0 + 1	4 4	± 0.1	± 0.5	25
EPC 53	5 3		4 5			
EPC 55	5 5		4 7			
EPC 58	5 8		4 7			
EPC 60	6 0		4 9			
EPC 63	6 3		5 2			
EPC 65	6 5		5 4			
EPC 66	6 6		5 5			
EPC 68	6 8		5 7			
EPC 70	7 0		5 9			
EPC 73	7 3	- 0 + 1.5	6 2	± 0.1	± 0.5	34
EPC 75	7 5		6 4			
EPC 76	7 6		6 5			
EPC 78	7 8		6 7			
EPC 80	8 0		6 9			
EPC 85	8 5		7 4			
EPC 90	9 0		7 9			
EPC 95	9 5		8 1			
EPC 100	1 0 0		8 6			
EPC 110	1 1 0		9 6			
EPC 120	1 2 0	- 0 + 2	1 0 6	± 0.1	± 0.5	45
EPC 130	1 3 0		1 1 6			
EPC 140	1 4 0		1 2 6			
EPC 150	1 5 0		1 3 6			
EPC 160	1 6 0		1 4 6			