



#### JOLLY MILD STEEL CLAMP

JOLLY MILD STEEL CLAMPS have been universally regarded as the most versatile and cost effective clamping solutions since 1968. Jolly clamps are constructed tough and rugged to withstand pressures of constant use. Engineering marvel in designing eliminates hose abrasion and damage under the clamp band.



#### JOLLY STAINLESS STEEL CLAMP

JOLLY STAINLESS STEEL CLAMPS are rugged, convenient and corrosion resistant with proven quality, workmanship and reliability. Practical designing using advanced software makes Jolly stainless steel clamps stronger than conventional clamps. It provides stepless, smooth and non-throbbing surface on both inner and outer area of the clamp which grips and protects the hose in a caring manner. Being corrosive resistant it is ideal for use in chemical or marine industry.



#### JOLLY WING SCREW CLAMP WITH COVER

JOLLY WING SCREW CLAMPS are specially designed to address the problem where pipes or hoses are frequently changed as in laboratory and industrial applications. Different coloured wing screw clamps are of great use for distinct **colour-coding** at points where multiple pipelines are used. Plastic wing besides being convenient is also soft on unprotected fingers in case of continuous handling.

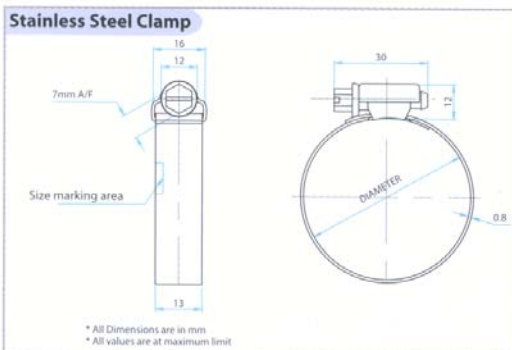
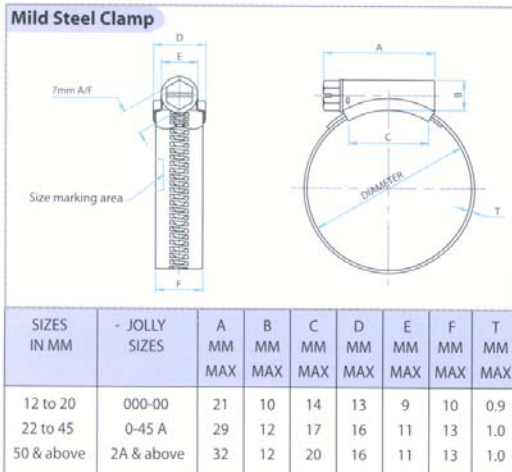


#### JOLLY WING SCREW CLAMP WITHOUT COVER

JOLLY WING SCREW CLAMPS are also available without plastic cover for economy and where colour-coding is not required. Ideal for a vast section of Industrial & Hardware applications.



JOLLY CLAMPS



SIZE AS PER IS 4762	JOLLY SIZE	SIZE AS PER BS 5315	CLAMPING RANGE (X)				MIN. TORQUE kg f/cm	MIN. PRESSURE kg f/cm <sup>2</sup>
			MM		INCH			
			MIN.	MAX	MIN.	MAX		
12	000	12	9	12	3/8	1/2	46	14.1
16	00M	16	12	16	1/2	5/8		
20	00	20	14	20	1/2	3/4	58	
22	0	22	16	22	5/8	7/8		
25	100S	25	18	25	3/4	1"	69	
28	0X	-	20	28	3/4	1.1/8		
30	1A	30	22	30	7/8	1.1/4	81	8.4
35	137S	35	25	35	1"	1.3/8		
38	1	-	30	38	1.1/8	1.1/2		
40	1X	40	30	40	1.1/8	1.5/8	92	
45	45A	45	32	45	1.1/4	1.3/4		
50	2A	50	38	50	1.1/2	1.7/8	4.2	
55	2	-	42	55	1.5/8	2.1/8		
60	2X	60	45	60	1.3/4	2.3/8	4.2	
70	3	70	50	70	2"	2.3/4		
75	75A	-	55	75	2.1/4	3"	92	
80	3X	80	60	80	2.3/8	3.1/8		
90	4	90	70	90	2.3/4	3.1/2	4.2	
100	4X	100	80	100	3.1/8	4"		
110	110A	-	90	110	3.1/2	4.3/8	4.2	
115	5	-	95	115	3.3/4	4.5/8		
120	5X	-	110	120	4"	4.3/4	4.2	
130	6	130	110	130	4.3/8	5.1/4		
140	140A	-	125	140	5"	5.1/2	4.2	
145	575S	-	125	145	5"	5.3/4		
150	150A	-	135	150	5.1/2	6"	4.2	
160	6X	160	140	160	5.5/8	6.3/8		

**MATERIAL SPECIFICATION**

**Jolly Mild Steel:**

All parts are made of mild steel, zinc plated and passivated.

**Jolly Stainless Steel:**

All parts are made of AISI-SS304.

**Jolly High Quality Clamps:  
Ideal for every application in**

- automobile, aerospace
- ducting, hose connection, gas/fuel lines
- farming & irrigation systems
- maintenance, plumbing

**Unique Features**

- Smooth chamfered edges of band
- Hexagonal slotted screw for ease in operation

- \* Wing screw can be provided only upto Jolly size 4X
- \* Larger sizes upto 16" are available on request
- \* We reserve the right to make technical modifications
- \* Prices on request

**Packaging:**

For convenient handling a set of 25 clamps are generally packed in each polypack. These polypacks are further packed in tough corrugated boxes.

