

# GENERAL PURPOSE



## AC CLAMPS

Stainless steel locator bar helps assure proper positioning of clamps over air conditioning fitting.

### Ideal 62 Series / Tridon 684 Series Tridon Automotive Series "AC"

Screw: 5/16" hex-head. Plated carbon steel.  
Band: 1/2" design. Stainless steel.  
Housing: Plated carbon steel.

## MILITARY WORM DRIVE CLAMPS

Manufactured to Military Specifications MS35842 and AA-52506B.

### Ideal 62MS Series / Tridon 632 Series

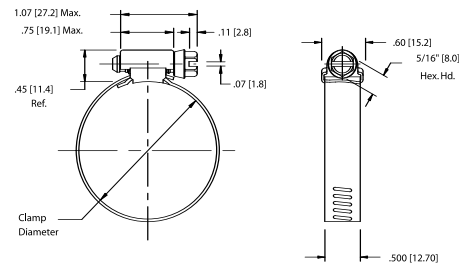
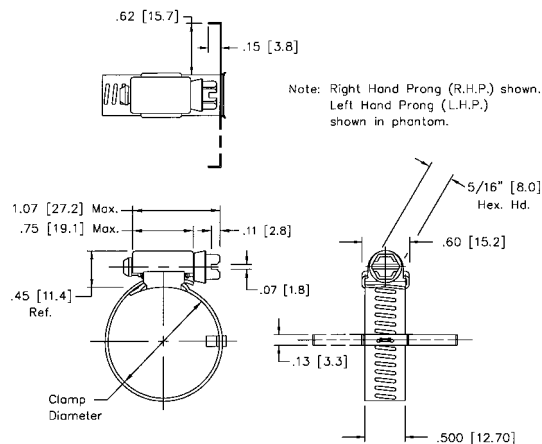
Screw: 5/16" hex-head stainless steel.  
Band and housing: 1/2" design.  
201/301 stainless steel.

AC CLAMPS			CLAMPING RANGE			
SAE Sizes	Ideal Part No.	Tridon Part No.	English (in.)		Metric (mm)	
			Min. Dia.	Max. Dia.	Min. Dia.	Max. Dia.
	<b>62</b>	<b>684</b> <sup>(1)</sup>				
8	6274	684-008	7/16	1	11	25
12	6277	684-012	1/2	1 1/4	13	32

<sup>(1)</sup> Automotive Series "AC"

MILITARY SPEC CLAMPS		CLAMPING RANGE			
Ideal Part No.	Tridon Part No.	English (in.)		Metric (mm)	
		Min. Dia.	Max. Dia.	Min. Dia.	Max. Dia.
<b>62MS</b>	<b>632</b>				
6210	632-006	3/8	7/8	10	22
6211	632-012	1/2	1 1/4	13	32
6212	632-024	1	2	26	51
6213	632-036	1 3/4	2 3/4	44	70
6214	632-048	1 1/2	3 1/2	38	89
6215	632-060	2 1/4	4 1/4	57	108
6216	632-104*	4	7	102	178

\* Non-stocking item



Measurements in illustrations are in inches [millimeters]