

## NON-PERFORATED BAND CLAMPS

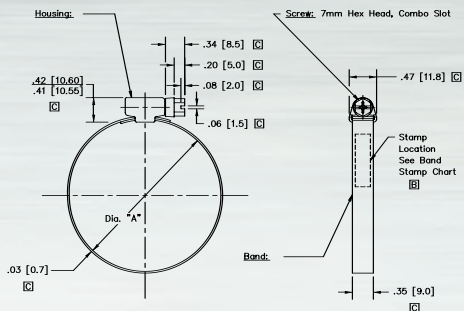
Preferred by the European original equipment and replacement markets, the non-perforated band protects silicone and other soft hose surfaces from extruding or shearing during installation. Available in 9mm and 12mm band widths in both part stainless (W2) and all stainless (W4) configurations.

### Ideal 53101 Series / Tridon 901 Series

Non-perforated clamp design

Screw: 7mm hex-head. Combination slot.  
Plated carbon steel.

Band and housing: 9mm design.  
300 grade stainless steel.

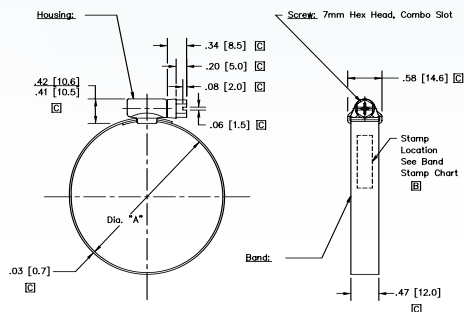


### Ideal 53102 Series / Tridon 902 Series

Non-perforated clamp design.

Screw: 7mm hex-head. Combination slot.  
Plated carbon steel.

Band and housing: 12mm design.  
300 grade stainless steel.

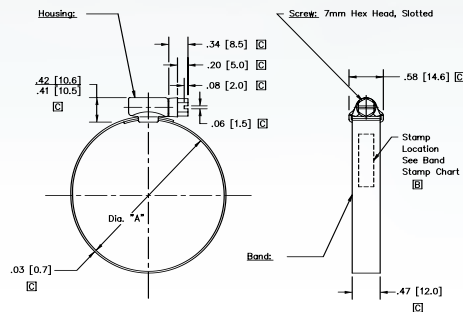


### Ideal 53104 Series / Tridon 904 Series

All 300 grade stainless steel, non-perforated clamp design.

Screw: 7mm hex-head. Slotted. 300 grade stainless steel.

Band and housing: 12mm design. 300 grade stainless steel.



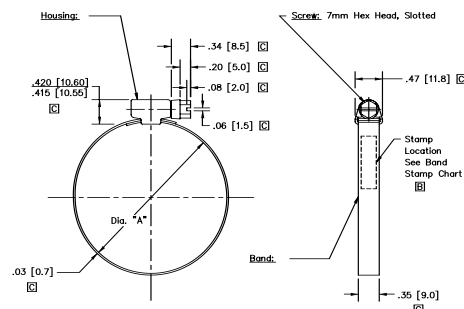
Measurements in illustrations are in inches [millimeters]

### Ideal 53103 Series / Tridon 903 Series

All 300 grade stainless steel, non-perforated clamp design.

Screw: 7mm hex-head. Slotted. 300 grade stainless steel.

Band and housing: 9mm design. 300 grade stainless steel.



Also Available In  
**316**  
STAINLESS STEEL

9mm BAND WIDTH NON-PERFORATED (EMBOSSSED) CLAMPS													
	Ideal Part No.	Tridon Part No.		Ideal Part No.	Tridon Part No.	Clamping Range				Fits Hose I.D.			
						mm		in.		mm		in.	
						Min. Dia.	Max. Dia.	Min. Dia.	Max. Dia.	Min. Dia.	Max. Dia.	Min. Dia.	Max. Dia.
	<b>53101</b>	<b>901</b>		<b>53103</b>	<b>903</b>								
<b>W2</b>	53101 0012	901-0012	<b>W4</b>	53103 0012	903-0012	8	12	5/16	15/32	-	5	1/8	3/16
	53101 0016	901-0016		53103 0016	903-0016	10	16	13/32	5/8	6	7	1/4	3/8
	53101 0020	901-0020		53103 0020	903-0020	12	20	1/2	25/32	7	10	5/16	1/2
	53101 0025	901-0025		53103 0025	903-0025	16	25	21/32	31/32	9	16	1/2	5/8
	53101 0032	901-0032		53103 0032	903-0032	20	32	25/32	1 1/4	13	22	5/8	7/8
	53101 0040	901-0040		53103 0040	903-0040	25	40	1	1 9/16	19	29	3/4	1
	53101 0050	901-0050		53103 0050	903-0050	32	50	1 1/4	1 31/32	25	38	1	1 3/8
	53101 0060	901-0060		53103 0060	903-0060	40	60	1 19/32	2 11/32	32	44	1 1/4	1 3/4
	53101 0070	901-0070		53103 0070	903-0070	50	70	1 31/32	2 3/4	41	57	1 5/8	2
	53101 0080	901-0080		53103 0080	903-0080	60	80	2 3/8	3 1/8	51	64	2	2 1/2
	53101 0090	901-0090		53103 0090	903-0090	70	90	2 3/4	3 1/2	64	76	2 1/2	3
	53101 0100	901-0100		53103 0100	903-0100	80	100	3 1/8	3 15/16	76	83	3	3 1/2
	53101 0110	901-0110		53103 0110	903-0110	90	110	3 9/16	4 5/16	83	89	3 1/4	3 3/4
	53101 0120	901-0120		53103 0120	903-0120	100	120	3 15/16	4 23/32	89	102	3 1/2	4
	53101 0130	901-0130		53103 0130	903-0130	110	130	4 5/16	5 1/8	102	114	4	4 1/2

12mm BAND WIDTH NON-PERFORATED (EMBOSSSED) CLAMPS													
	Ideal Part No.	Tridon Part No.		Ideal Part No.	Tridon Part No.	Clamping Range				Fits Hose I.D.			
						mm		in.		mm		in.	
						Min. Dia.	Max. Dia.	Min. Dia.	Max. Dia.	Min. Dia.	Max. Dia.	Min. Dia.	Max. Dia.
	<b>53102</b>	<b>902</b>		<b>53104</b>	<b>904</b>								
<b>W2</b>	53102 0025	902-0025	<b>W4</b>	53104 0025	904-0025	16	25	21/32	31/32	9	16	1/2	5/8
	53102 0032	902-0032		53104 0032	904-0032	20	32	25/32	1 1/4	13	22	5/8	7/8
	53102 0040	902-0040		53104 0040	904-0040	25	40	1	1 9/16	19	29	3/4	1
	53102 0050	902-0050		53104 0050	904-0050	32	50	1 1/4	1 31/32	25	38	1	1 3/8
	53102 0060	902-0060		53104 0060	904-0060	40	60	1 19/32	2 11/32	32	44	1 1/4	1 3/4
	53102 0070	902-0070		53104 0070	904-0070	50	70	1 31/32	2 3/4	41	57	1 5/8	2
	53102 0080	902-0080		53104 0080	904-0080	60	80	2 3/8	3 1/8	51	64	2	2 1/2
	53102 0090	902-0090		53104 0090	904-0090	70	90	2 3/4	3 1/2	64	76	2 1/2	3
	53102 0100	902-0100		53104 0100	904-0100	80	100	3 1/8	3 15/16	76	83	3	3 1/2
	53102 0110	902-0110		53104 0110	904-0110	90	110	3 9/16	4 5/16	83	89	3 1/4	3 3/4
	53102 0120	902-0120		53104 0120	904-0120	100	120	3 15/16	4 23/32	89	102	3 1/2	4
	53102 0130	902-0130		53104 0130	904-0130	110	130	4 5/16	5 1/8	102	114	4	4 1/2